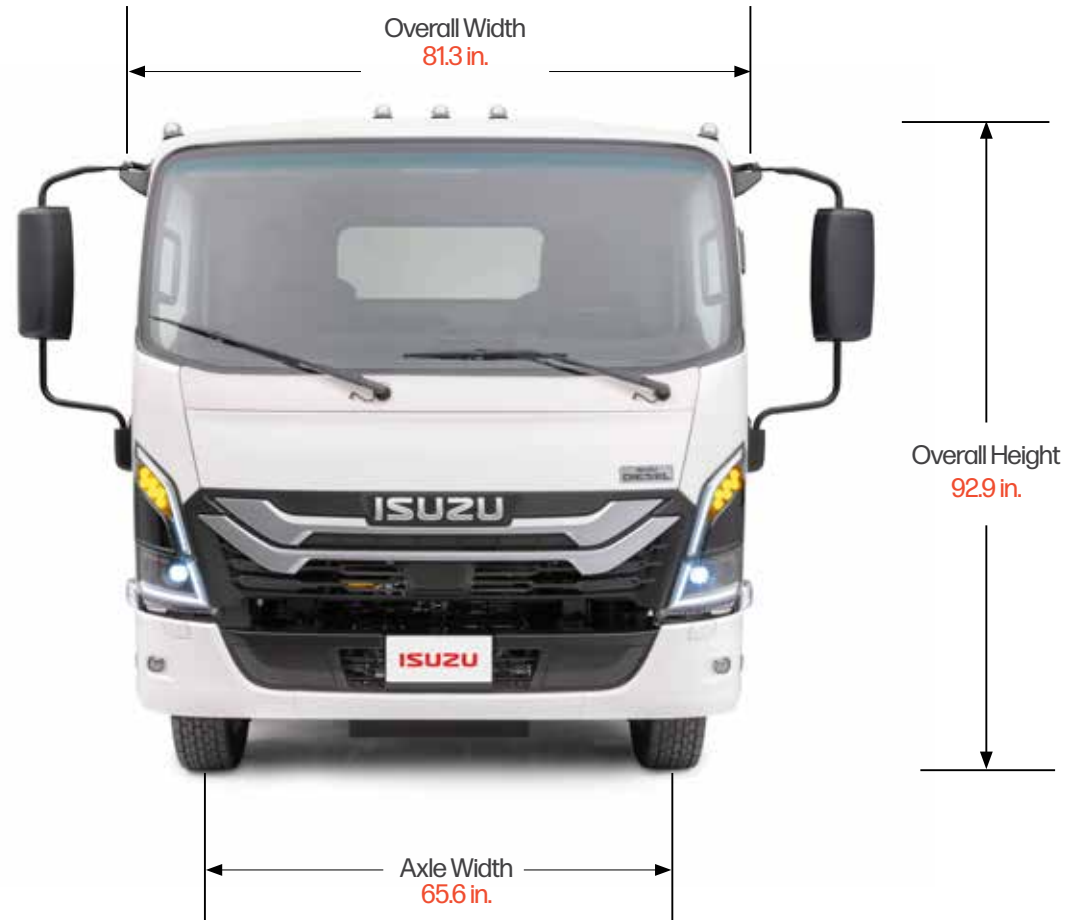


DIMENSIONS & CAPACITIES



STANDARD CAB

Wheelbase (in.)	NPR-HD		NPR-XD		NRR DERATE*		NRR	
	Curb Weight (lbs.)	Body Payload (lbs.)	Curb Weight (lbs.)	Body Payload (lbs.)	Curb Weight (lbs.)	Body Payload (lbs.)	Curb Weight (lbs.)	Body Payload (lbs.)
109	6,030	8,470	6,424	9,576	6,530	11,420	6,530	12,970
132.5	6,100	8,400	6,497	9,503	6,612	11,338	6,612	12,888
150	6,133	8,367	6,528	9,472	6,632	11,318	6,632	12,868
176	6,173	8,327	6,570	9,430	6,679	11,271	6,679	12,821
200	N/A	N/A	N/A	N/A	6,981	10,969	6,981	10,969
212	N/A	N/A	N/A	N/A	N/A	N/A	7,027	12,473

CREW CAB

150	6,724	7,776	7,121	8,879	7,240	10,710	7,240	12,260
176	6,775	7,725	7,169	8,831	7,291	10,659	7,291	12,209

*NRR Derate is a PIO option.

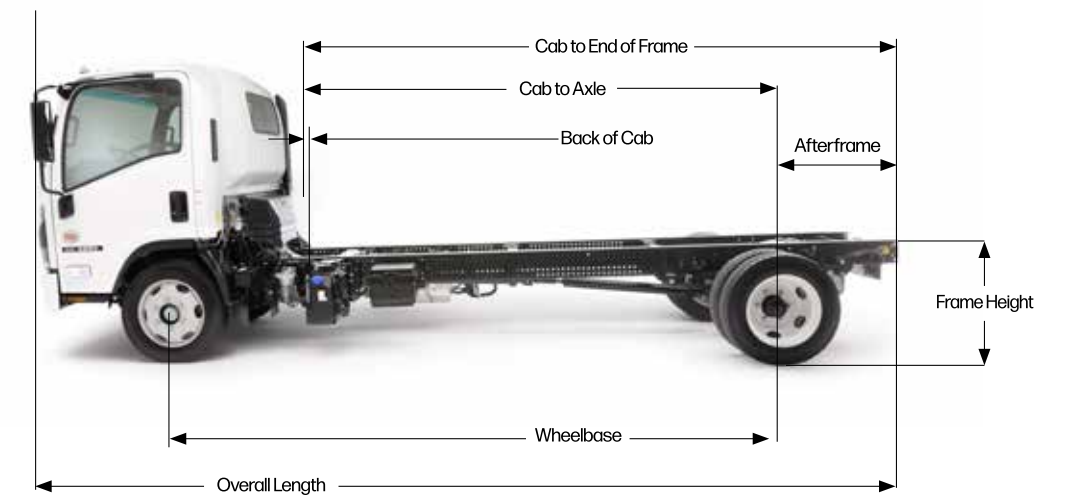
STANDARD CAB

Wheelbase (in.)	Cab to Axle (in.)	Cab to End of Frame (in.)	Back of Cab (in.)	Body Length (ft.)
109	86.5	129.6	7.7	10-12
132.5	110.0	153.1	7.7	12-14
150	127.5	170.6	7.7	16-18
176.0	153.5	196.6	7.7	18-20
200†	177.5	220.6	7.7	22
212†	189.5	232.6	7.7	24

CREW CAB

150	88.5	131.6	5.3	12
176	114.5	157.6	5.3	16

† NRR only



Wheelbase (in.)	OAL (in.)	OAH (in.)**	OAW (in.)
109	195.7	92.9	81.3
132.5	219.2	92.9	81.3
150	236.7	92.9	81.3
176	262.7	92.9	81.3
200†	286.7	92.9	81.3
212†	298.7	92.9	81.3

CREW CAB

150	236.7	92.9	81.3
176	262.7	92.9	81.3

† NRR only **NPR-HD is 91.3 in.

Frame Height

NPR-HD	31.6
--------	------

NPR-XD & NRR	33.5
--------------	------

Frame Rail Width

Standard Cab	33.5
--------------	------

Crew Cab	33.5
----------	------

Afterframe

Standard Cab	43.1
--------------	------

Crew Cab	43.1
----------	------