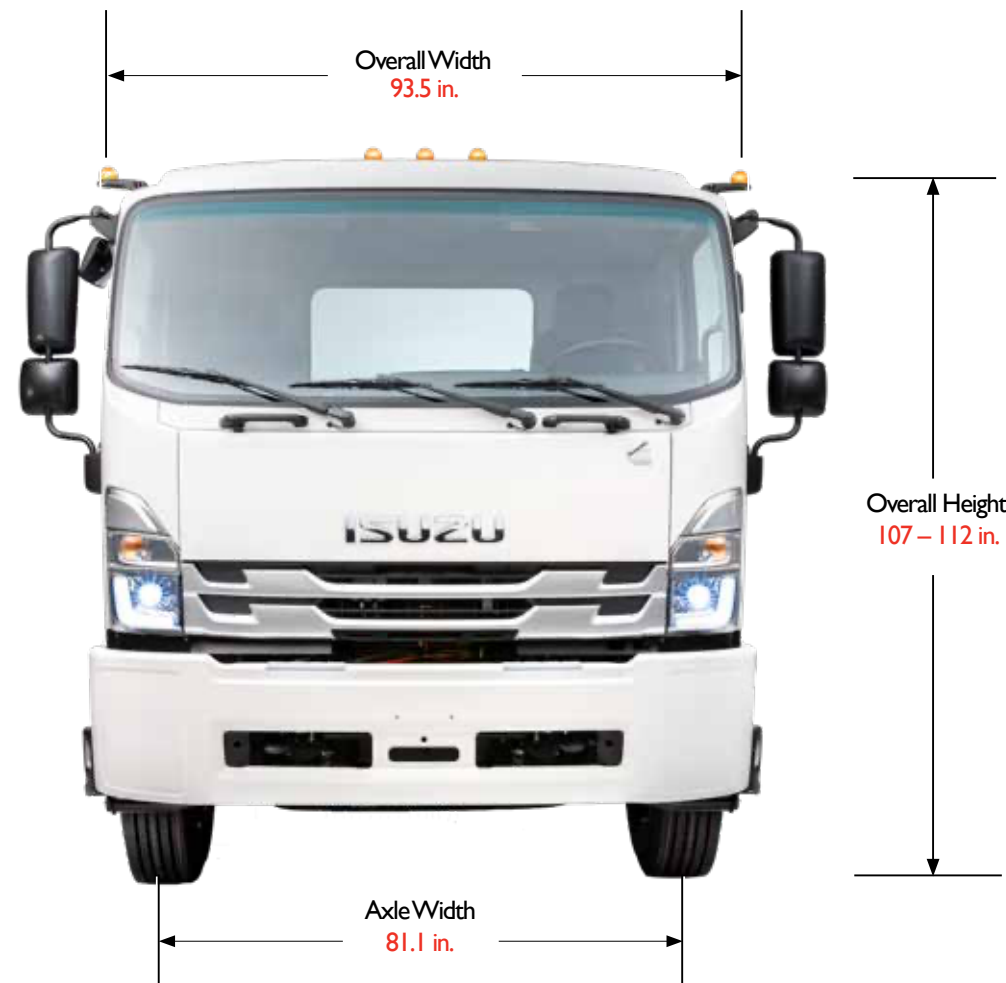
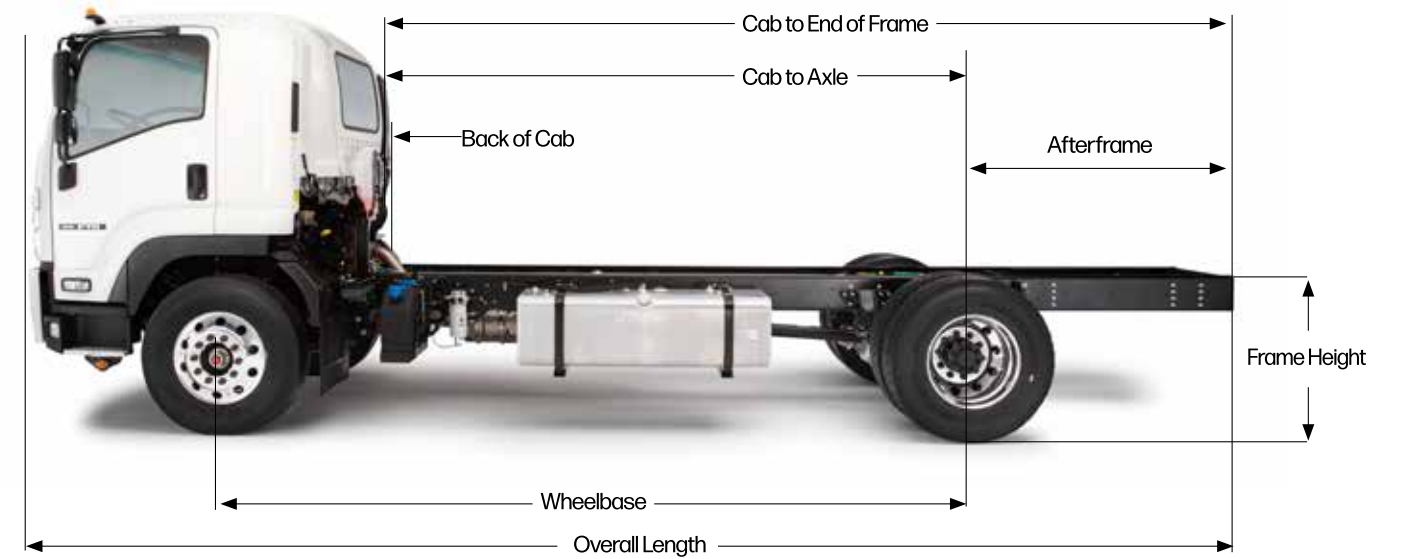


DIMENSIONS & CAPACITIES



Wheelbase (in.)	Cab to Axle (in.)	Cab to End of Frame (in.)	Back of Cab (in.)	OAL (in.)	OAW (in.)	Frame Rail Width (in.)	Afterframe	Body Length (ft.)
152	127	1929	10.4	2744	93.5	33.5	65.9	14-16
170	145	220	10.4	3015	93.5	33.5	75	16-18
188	163	247	10.4	3285	93.5	33.5	84.1	18-20
200	175	2649	10.4	3464	93.5	33.5	90	20-22
212	187	2831	10.4	3646	93.5	33.5	96.1	22-24
224	199	301	10.4	3825	93.5	33.5	102	22-26
236	211	3191	10.4	4006	93.5	33.5	108.1	24-28
248	223	337	10.4	4185	93.5	33.5	114	26-30



FTR				FVR DERATE				FVR			
WB (in.)	Curb Weight (lbs.)	Body Payload (lbs.)	Model Codes	WB (in.)	Curb Weight (lbs.)	Body Payload (lbs.)	Model Codes	WB (in.)	Curb Weight (lbs.)	Body Payload (lbs.)	Model Codes
152	9,686	16,264	MT1	152	10,011	15,939	MW1	152	10,011	22,989	MV1
170	9,764	16,186	MT2	170	10,089	15,861	MW2	170	10,089	22,911	MV2
188	9,947	16,003	MT3	188	10,605	15,346	MW3	188	10,605	22,396	MV3
200	10,191	15,759	MT4	200	10,726	15,225	MW4	200	10,726	22,275	MV4
212	10,280	15,671	MT5	212	10,849	15,102	MW5	212	10,849	22,152	MV5
224	10,524	15,427	MT6	224	10,970	14,981	MW6	224	10,970	22,031	MV6
236	10,767	15,184	MT7	236	11,092	14,859	MW7	236	11,092	21,909	MV7
248	10,888	15,062	MT8	248	11,213	14,737	MW8	248	11,213	21,787	MV8

STANDARD TIRES

FH = Frame height (unladen) at E.O.F. (in.)	
Multi-Leaf	42.5
Air	38.2
OAH Standard Tires Multi-leaf/Air (in.)	
112/108.6	

FTR LOW PRO TIRES

FH = Frame height (unladen) at E.O.F. (in.)	
Multi-Leaf	39.9
Air	35.9
FTR OAH Low Pro Tires Multi-leaf/Air (in.)	
110.2/107	