

# ISUZU

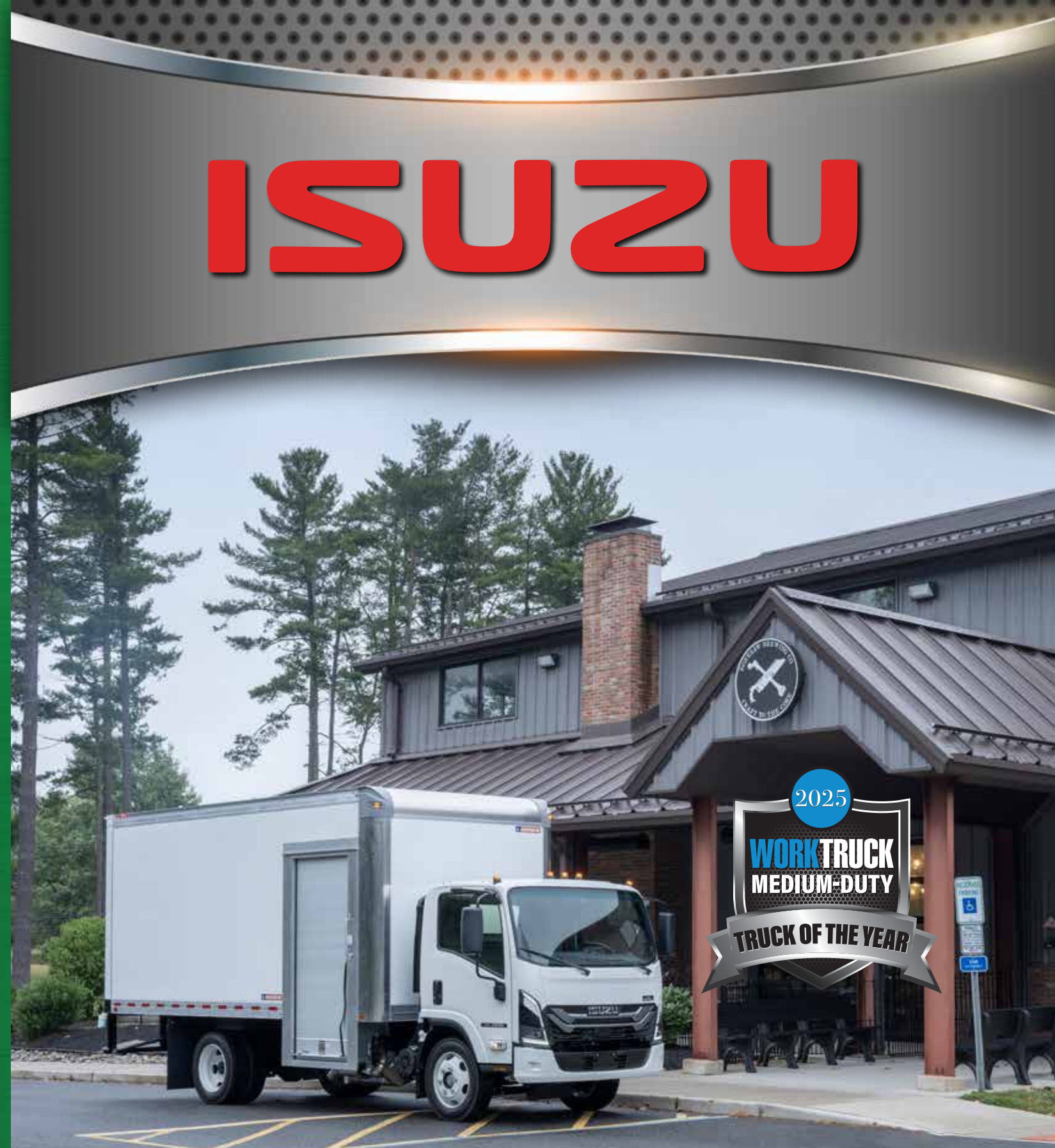
**FOR ADDITIONAL  
INFORMATION ON ISUZU'S  
FULL LINE OF LOW CAB  
FORWARD TRUCKS  
PLEASE VISIT**

**WWW.ISUZUCV.COM  
OR CALL (866) 441-9638**



## ISUZU

All photographs, illustrations, equipment, and technical data in this brochure are based on the latest information available at the time of publication. Isuzu Commercial Truck of America, Inc. reserves the right to make changes at any time, without notice, in prices, colors, materials, equipment, specifications, and models, and to discontinue models or equipment. Isuzu vehicles are assembled from component parts manufactured by Isuzu Motors Limited, its affiliated companies, and by independent suppliers who manufacture such components to Isuzu's exacting standards for quality, performance, and safety. Some vehicles are shown with optional equipment. Some equipment is dealer installed. Visit your authorized Isuzu dealer for warranty and other details. Facebook logo is a registered trademark of Meta. Instagram logo is a registered trademark of Meta. X logo is a trademark of X Corp. LinkedIn logo is a registered trademark of LinkedIn Corporation. YouTube logo is a registered trademark of Google Inc. Tik Tok logo is a registered trademark of ByteDance Ltd. Neither Isuzu Commercial Truck of America, Inc. nor Isuzu Motors Limited are sponsored by or affiliated with these platforms. FleetValue is a registered trademark of Isuzu Commercial Truck of America, Inc. Copyright © 2025 Isuzu Commercial Truck of America, Inc.



## 2026 N-SERIES DIESEL

# INTRODUCING THE NEW GENERATION OF THE TRUCKS YOU TRUST

Isuzu has been the best-selling low cab forward truck in America every year since 1986. Why? It's more than just legendary durability, remarkable performance, and surprisingly low cost of ownership.

Isuzu N-Series diesel trucks made Isuzu famous. That popularity is sustained with a cab that has sleek modern styling and an interior with elevated comfort.

**The exterior that is as practical as it is bold.** The cab proudly displays the "World Cross Flow" design, which includes a striking grille that's more aerodynamic ... a headlamp assembly incorporating energy-efficient LEDs ... a bumper design that reduces repair costs ... front wheel hubs that are now maintenance-free ... and a stronger frame.

**An interior designed to increase comfort, reduce driver fatigue, and enhance safety.** Steering wheel, seats, Multi-Information Display, everything from the cupholders to the accelerator pedal have been designed for the ultimate in ergonomics. And the optional Advanced Driver Assistance System package now includes Full-Range Adaptive Cruise Control, Following Distance Warning, Mis-Acceleration Mitigation and more.

All of this without compromising Isuzu trucks' hallmark features that have made them a favorite for four decades

**A Range of Choices:** Standard Cab or Crew Cab ... wheelbases from 109 to 212 inches ... GVWRs from 14,500 to 19,500 pounds ... the choice is yours.

**Low Cab Forward Design:** Visibility, maneuverability, and capability that no conventional cab can match.

**Durability:** Every Isuzu N-Series diesel engine carries a B10 durability rating of 375,000 miles.

**Low Cost of Ownership:** Selected N-Series diesel trucks come with two years or 60,000 miles of oil coverage. Every N-Series diesel-powered truck gives you access to a complimentary Vehicle Health Report that details your truck's performance. And Isuzu's available Priority Service Maintenance Program lets you pay for your maintenance needs in advance—allowing you to budget your maintenance.

**Peace of Mind:** Isuzu N-Series diesel-powered trucks are backed with warranties that demonstrate our belief in our product, and our extended warranties can help you protect your investment for up to five years or 200,000 miles.

We invite you to discover how Isuzu's passion for improvement has made the N-Series diesel trucks the best in Isuzu's storied history—and why now, more than ever, Isuzu trucks are the trucks you trust for the work you do.



# THE FACE OF ISUZU

The first thing you'll notice about the N-Series diesel is its exterior design. This is not styling just for the sake of styling—this is a cab that has been engineered to be safer and more efficient than ever.

**“World Cross Flow”.** This is the global Isuzu brand design language and it speaks volumes on the Isuzu N-Series diesel trucks. Designers created a look that would “cheat the wind” while maintaining an unmistakable Isuzu identity.

- As the quietest and most efficient Isuzu cab ever, the enhanced aerodynamics allow better air flow around the cab and keep the sound to a whisper.
- The striking grille continues the “smile” theme of previous generations while maintaining its bold styling.
- The front bumper design improves cooling performance and reduces repair costs.
- The refined corner panels create aerodynamic efficiency without compromising a wide 85-degree door opening.

**Your guiding lights.** The headlamp assembly employs LED clearance lights, turn signals, high and low beams, and daytime daytime running lights. Thanks to the ingenuity of Isuzu engineers, this lamp design lights a larger area to provide better visibility of the road ahead. And if mud, snow, ice, or other debris should cover the headlamp, the driver can conveniently activate the pop-up headlamp washers.

To add to the convenience and safety, Automatic headlamps are now standard on all N-Series diesel trucks. When the headlamps are set in the “Auto” position, you won't have to worry about forgetting to turn the lamps on—or off—again. An ambient light sensor detects light levels outside the truck. When it detects a low light level, the headlamps will automatically illuminate—along with the various vehicle running lights.

**The LCF advantage.** One thing hasn't changed. Since the introduction of the Elf light-duty low cab forward truck over 65 years ago in Japan, the Isuzu low-cab-forward design has become legendary for its outstanding visibility and maneuverability. These two advantages alone make Isuzu trucks easier and safer to drive.

With two cab options, you have the choice of seating up to 7 passengers. Six wheelbases give you flexibility to build a body up to 24 feet in length. Isuzu trucks simply give you more choices, more driver benefits, and less hassle when navigating the road ahead.

**A strong and innovative frame.** The N-Series diesel's frame is crafted of HT540 hot-rolled steel. This high-tensile-strength steel provides a taller frame rail and a more rigid frame. The result? A frame with increased strength. And strength has always been one of Isuzu's . . . strengths.

In short, the cab on the N-Series diesel isn't simply better looking. It's simply better.





# THE INSIDE STORY

The Isuzu N-Series diesel cab's refinement flows into the interior where the driver and passengers are greeted with supreme comfort. A practical, user-friendly, comfortable and safe cabin means less driver fatigue and greater productivity—and that translates into more profitability for your business.

**Our wheels are always turning.** The steering wheel's position and angle have been changed to provide a better fit for a wider variety of drivers. Its smaller diameter means easier handling. And now, steering-wheel mounted controls for the Multi-Information Display (MID), audio system, cruise control, hands-free phone calling and more are at your fingertips.



**Climate control that's easy to control.** Electronic climate controls make operation easy and intuitive. And when the climate on the outside turns wet, and drivers will appreciate the intermittent windshield wipers.

**Settle in and be comfortable.** The driver and passengers are sure to enjoy seats designed with their comfort in mind. First, you'll notice the urethane seat cushions and upholstery. To further enhance comfort, the driver's seat back is 30 millimeters higher than prior N-Series seats to accommodate taller drivers, while the driver and outboard passenger's hip points have been lowered 10 millimeters for a better seating position. To reduce fatigue, the driver's seat features an armrest.

And, when you're thirsty, you'll enjoy the convenience of four cupholders that will easily accommodate 500ml-size water bottles.

## **But wait, there's more.**

Additional creature comforts include:

- Brighter LED interior lighting that lasts longer
- A larger overhead console for more storage
- Card holder clip for additional functionality
- A passenger tray with quick and easy access to large items like the owner's manual

The only problem with the N-Series diesel cabin is that, once the driver and passengers get in ... they may not want to get out.

**An MID that's anything but middle-of-the-road.** A seven-inch color Multi-Information Display is standard equipment on every N-Series diesel truck, and it's home to an astonishing assortment of gauges and functions, including warning lights; status of driver-assistance features; time and temperature; odometer; fuel level; shift position; and so much more. This MID has been designed to minimize eye movements so that it maximizes driver comfort and safety. And it's not just multi-information—it's multi-lingual, fluent in English, French, and Spanish.

**A pedal that meets the metal.** The pedal layout has been engineered to reduce fatigue when switching between the accelerator and brake pedal.



# SAFETY IS AS SAFETY DOES

The Isuzu N-Series diesel offers a wide range of standard and optional safety features.

**Standard driver and outboard passenger SRS frontal airbags.** Driver and outboard passenger SRS frontal airbags are standard on every Isuzu N-Series diesel truck.

Remember, airbags provide supplemental protection and are designed to work in combination with seatbelts.

**Standard four-wheel-disc braking technology.** Four-wheel disc braking enhances stopping performance while improving pedal feel compared to a front disc/rear drum set-up. The discs are part of the Isuzu Vacuum + Power Assist Brake System with anti-locking braking (ABS). At the limit point of normal vacuum assist, a hydraulic unit will provide additional line pressure.

**Standard Electronic Stability Control (ESC) and Anti-Slip Regulation (ASR).** ESC monitors the truck's steering wheel angle, individual wheel rotation speed, lateral G forces, and more. When the system senses that the driver is at risk of losing control of the vehicle, it activates an on-dash warning light and automatically reduces engine output and applies braking pressure as needed to help the driver maintain the truck's stability.

ESC works in tandem with ASR, an advanced traction-control system that provides tire grip when the truck is on loose or wet surfaces.

And for the ultimate in peace of mind, every N-Series diesel truck can be equipped with Isuzu's enhanced optional Advanced Driver Assistance System (ADAS).

## OPTIONAL ADVANCED DRIVER ASSISTANCE SYSTEM SAFETY PACKAGE

### LANE DEPARTURE WARNING SYSTEM (LDWS)

- Operates at speeds of approximately 37 miles per hour and above
- Recognizes the lines on road ahead to determine if vehicle strays too far from road's center
- Visual and audible alerts on MID
- Two sensitivity levels

### AUTOMATIC EMERGENCY BRAKING SYSTEM (AEBS)

- Monitors road ahead for obstacles such as pedestrians, cyclists, other vehicles
- Warns the driver of such obstacles with visual and audible alerts on MID
- If necessary, will automatically apply braking force to reduce vehicle speed
- Operates at speeds of approximately 6 miles per hour or higher

### FOLLOWING DISTANCE WARNING

- Notifies driver when front of Isuzu truck is within a certain distance of vehicle ahead
- Distance is adjustable by driver
- Visual and audible alerts on MID

### FORWARD VEHICLE START NOTIFICATION

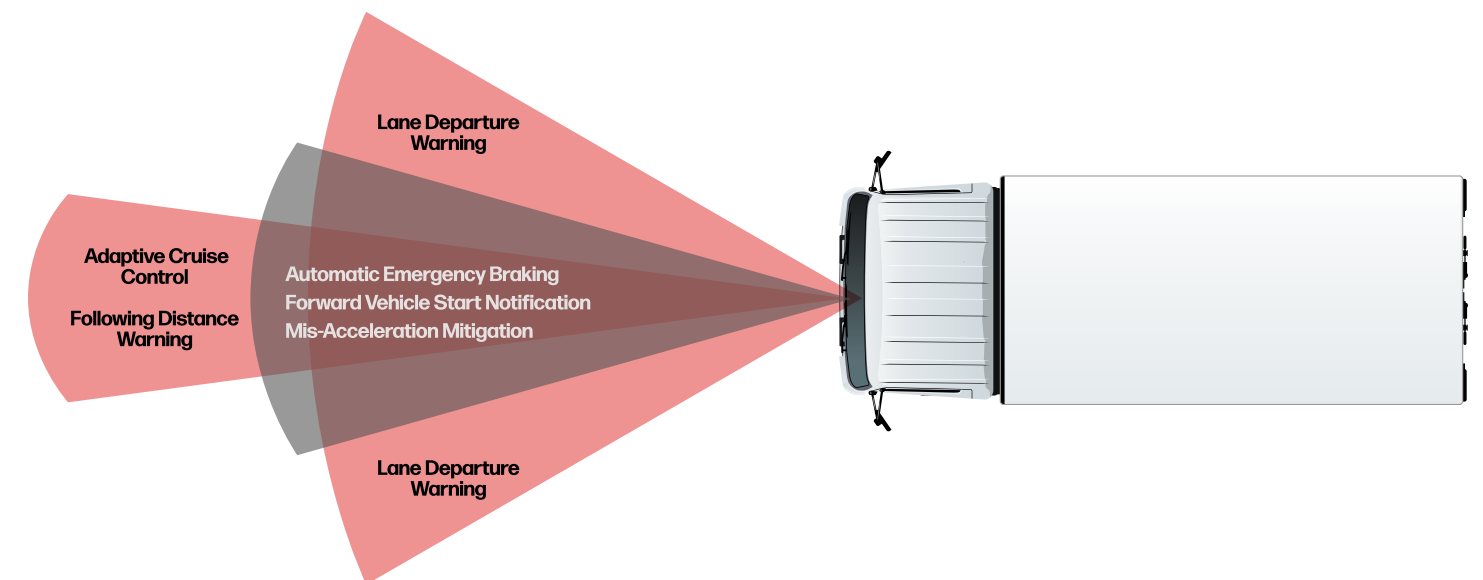
- From a stop, notifies driver when the vehicle in front of the Isuzu truck has moved forward a certain distance (at a traffic light or stop sign, for example)
- Visual and audible alerts on MID

### MIS-ACCELERATION MITIGATION

- When starting from a stop and, an obstacle in front of the Isuzu truck is detected, engine output will be restricted if the accelerator is depressed more than necessary
- Helps prevent or lessen the severity of accidents caused by mistaken accelerator pedal depression
- Operates when Isuzu truck is parked or operating at 6 miles per hour or slower

### FULL-RANGE ADAPTIVE CRUISE CONTROL

- Allows driver to set both a desired speed and a desired following distance from the vehicle ahead
- If the vehicle ahead slows down, the system will automatically slow the Isuzu truck to maintain pre-set following distance
- System will then accelerate the Isuzu truck to the originally set speed once vehicle ahead speeds up or the lane is clear
- System can bring the Isuzu truck to a complete stop. If it does, the Isuzu truck will return to its originally set speed only after the driver depresses the accelerator.





# N-SERIES DIESEL HIGHLIGHTS



## DURABLE AND POWERFUL DRIVETRAIN

The legendary Isuzu 4HK1-TC 5.2-liter turbocharged, intercooled four-cylinder diesel engine is both powerful and efficient. This powerplant produces 215 horsepower and 452 lbs.-ft. of torque, and is mated to the Aisin 465id six-speed automatic transmission that has been specially engineered to work in tandem with the engine and rear axle to provide optimal performance, excellent fuel economy and smooth shifting.



## FRAME

The frame is crafted of HT540 hot-rolled steel. This high-tensile-strength steel provides a taller frame rail and a more rigid frame.



## LED LIGHTING

LED turn signals, daytime running lights, high and low beams and fog lamps improve safety and styling. With brighter illumination, drivers have better visibility in nighttime conditions and their trucks are more easily seen by pedestrians and oncoming traffic.



## THREE-ZONE FRONT FASCIA

Each section serves a different purpose. **User Utility Zone** can be used to display your company logo or other messaging. **Brand Expression Zone** emphasizes the Isuzu "World Cross Flow" brand identity. **Functional Zone** includes engine air intake for better cooling.



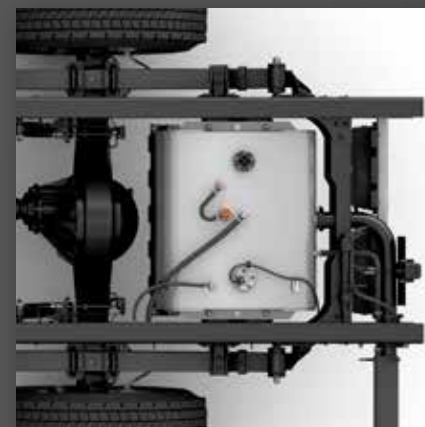
## INSTRUMENT PANEL

The instrument panel has been thoughtfully designed with switches placed into one of four zones—a convenient function area, an advanced safety device switch area, a zone for truck-specific equipment-related switches, and an additional bodywork switch area.



## I-MACS PLATFORM

The N-Series diesel truck represents the first application of the Isuzu Modular Architecture and Component Standard (I-MACS) to an internal combustion engine truck in this market. The I-MACS platform employs a chassis layout and electric architecture and has been especially designed for flexibility, allowing a combination of various components and devices to be used with future technologies.



## STAINLESS STEEL FUEL TANK

The 30-gallon stainless steel fuel tank adds to the quality and durability of N-Series trucks. The stainless steel fuel tank is rust resistant and includes a fuel supply port and a fuel return to easily connect equipment like refrigeration units.



# NPR-HD

CLASS 4



STANDARD CAB



CREW CAB

**GVWR**  
14,500 lb.

**GCWR**  
20,500 lb.

**PAYLOADS**  
7,725-8,470 lb.

**5.2L i4 TURBOCHARGED**  
215 HP / 452LB-FT TORQUE

**6 SPEED**  
AUTOMATIC  
TRANSMISSION

# NPR-XD

CLASS 4



STANDARD CAB



CREW CAB

**GVWR**  
16,000 lb.

**GCWR**  
22,000 lb.

**PAYLOADS**  
8,831-9,576 lb.

**5.2L i4 TURBOCHARGED**  
215 HP / 452LB-FT TORQUE

**6 SPEED**  
AUTOMATIC  
TRANSMISSION

# NRR DERATE

CLASS 5



STANDARD CAB



CREW CAB

**GVWR**  
17,950 lb.

**GCWR**  
23,950 lb.

**PAYLOADS**  
10,659-11,420 lb.

**5.2L i4 TURBOCHARGED**  
215 HP / 452LB-FT TORQUE

**6 SPEED**  
AUTOMATIC  
TRANSMISSION

# NRR

CLASS 5



STANDARD CAB



CREW CAB

**GVWR**  
19,500 lb.

**GCWR**  
25,500 lb.

**PAYLOADS**  
12,209-12,970 lb.

**5.2L i4 TURBOCHARGED**  
215 HP / 452LB-FT TORQUE

**6 SPEED**  
AUTOMATIC  
TRANSMISSION



# DIMENSIONS & CAPACITIES



## STANDARD CAB

Wheelbase (in.)	NPR-HD		NPR-XD		NRR DERATE*		NRR	
	Curb Weight (lbs.)	Body Payload (lbs.)	Curb Weight (lbs.)	Body Payload (lbs.)	Curb Weight (lbs.)	Body Payload (lbs.)	Curb Weight (lbs.)	Body Payload (lbs.)
109	6,030	8,470	6,424	9,576	6,530	11,420	6,530	12,970
132.5	6,100	8,400	6,497	9,503	6,612	11,338	6,612	12,888
150	6,133	8,367	6,528	9,472	6,632	11,318	6,632	12,868
176	6,173	8,327	6,570	9,430	6,679	11,271	6,679	12,821
200	N/A	N/A	N/A	N/A	6,981	10,969	6,981	10,969
212	N/A	N/A	N/A	N/A	N/A	N/A	7,027	12,473

## CREW CAB

150	6,724	7,776	7,121	8,879	7,240	10,710	7,240	12,260
176	6,775	7,725	7,169	8,831	7,291	10,659	7,291	12,209

\*NRR Derate is a PIO option.

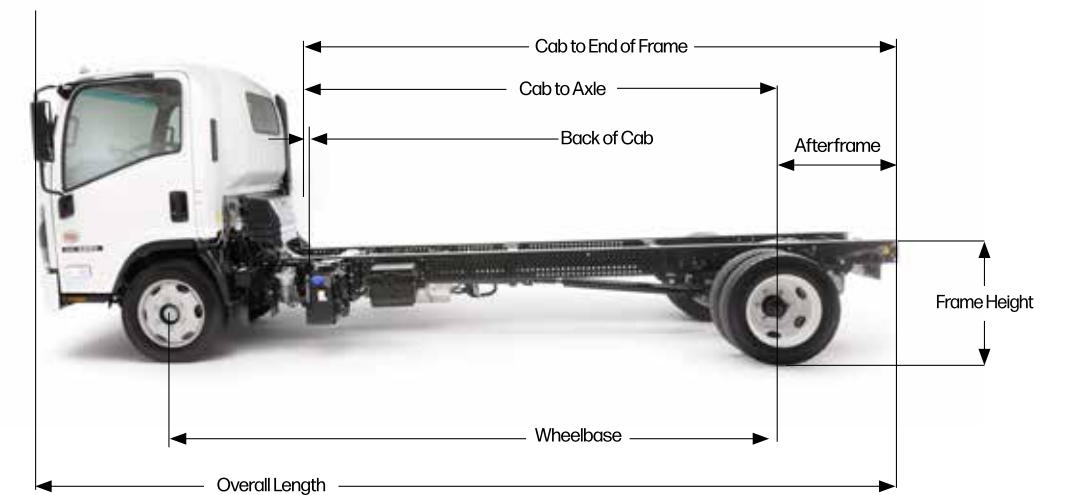
## STANDARD CAB

Wheelbase (in.)	Cab to Axle (in.)	Cab to End of Frame (in.)	Back of Cab (in.)	Body Length (ft.)
109	86.5	129.6	7.7	10-12
132.5	110.0	153.1	7.7	12-14
150	127.5	170.6	7.7	16-18
176.0	153.5	196.6	7.7	18-20
200†	177.5	220.6	7.7	22
212†	189.5	232.6	7.7	24

## CREW CAB

150	88.5	131.6	5.3	12
176	114.5	157.6	5.3	16

†NRR only



Wheelbase (in.)	OAL (in.)	OAH (in.)**	OAW (in.)
109	195.7	92.9	81.3
132.5	219.2	92.9	81.3
150	236.7	92.9	81.3
176	262.7	92.9	81.3
200†	286.7	92.9	81.3
212†	298.7	92.9	81.3

## CREW CAB

150	236.7	92.9	81.3
176	262.7	92.9	81.3

†NRR only \*\*NPR-HD is 91.3 in.

## Frame Height

NPR-HD	31.6
--------	------

NPR-XD & NRR	33.5
--------------	------

## Frame Rail Width

Standard Cab	33.5
--------------	------

Crew Cab	33.5
----------	------

## Afterframe

Standard Cab	43.1
--------------	------

Crew Cab	43.1
----------	------

# STANDARD WARRANTY

## NEW VEHICLE LIMITED WARRANTY

Warranty Limitations: Time or Mileage, Whichever Comes First

New Vehicle Warranty	Years	Miles
Basic	3	Unlimited
Engine - Isuzu	3	Unlimited
Transmission - Aisin A465ID	3	Unlimited
Drivetrain	3	Unlimited
Frame Rails	3 5*	Unlimited Unlimited*
Corrosion (Rust Through)	4	Unlimited
Roadside Assistance	3 5†	Unlimited 100,000†
Emission Defect	Years	Miles
Emission Defect Warranty	5	110,000
GHG Emission	5	50,000
Tire	2	24,000
Tire Pressure Monitoring System	5	50,000

\*After 3 years labor and parts coverage is 50% for up to 5 years.

†Tows related to emissions issues may be covered for up to 5 years or 100,000 miles (whichever comes first).

The warranty coverages are determined by the mileage of the vehicle and the number of years from the delivery date. The warranty coverages are limited by whichever occurs first. Please see your authorized Isuzu dealer for warranty details.

# EXTENDED WARRANTY

## 60 MONTHS / 200,000 MILES

(See Your Authorized Isuzu Dealer for Additional Extended Warranty Coverages)



### ENGINE

All internally lubricated parts including, but not limited to, cylinder block, cylinder head, oil pan, oil cooler, thermostat housing, flywheel, intake manifolds, and the following internal parts: Timing gear, Front and main seals, Oil pump, pistons with rings, liners, crankshaft and bearings, connecting rods and bearings, head bolts, cylinder head gasket, intake and exhaust valves, rocker arm assembly, camshaft and bearings.

### DRIVE AXLE

Differential, axle shafts, all seals and bearings

### TRANSMISSION

Transmission case and all internal parts

### ROADSIDE ASSISTANCE

Roadside assistance and towing to the nearest dealer for covered repairs on the vehicle at no additional charge

# THE SUPPORT YOU DESERVE FOR THE TRUCKS YOU TRUST



Call (866) 441-9659 – 24/7/365 – It is as simple as that when you're in need. Roadside Assistance is standard on all new Isuzu trucks. It covers tows, jump starts, lock outs, and fueling (owner is responsible for cost of fuel). Please see an authorized Isuzu dealer for details.



Specifically designed replacement parts developed for Isuzu trucks are approved for all warranty repairs and carry a one-year/unlimited-mile warranty. See an Isuzu dealer for warranty details.



Preventive maintenance increases your operating efficiency and maximizes your fuel economy. This comprehensive program protects you against increasing labor and parts costs for up to five years. PSMP also guarantees you "Priority" treatment during your service visits and when roadside assistance is needed. And, any unused portion of your PSMP can be rolled into your next purchase, transferred to the truck's next owner, or refunded to you.



Isuzu FleetValue Parts are priced to compete with aftermarket parts—but have been engineered to meet Isuzu's stringent specifications and exacting standards for quality, performance, safety, and reliability. And they carry a one-year, unlimited-mile warranty.



Isuzu Finance of America offers exclusive programs, like the Isuzu iLease, through authorized Isuzu dealers nationwide. The iLease is by far the most cost-effective option for qualifying customers, allowing them to take advantage of low monthly payments. Ask your Isuzu dealer for more information on Isuzu Finance offerings that will best fit your business needs!

